

»Standard« series

Reversible diaphragm pressure regulators, independent of inlet pressure, with selfrelieving design, combined with a centrifugal separator.

Temperature range	-10 °C to 60 °C
Medium	Compressed air, neutral gases
Filter rating	40 µm
Sealant	NBR
Housing	Aluminium, painted silver
Flow rate	12000 l/min
Flow rate measurement	At P1 = 8 bar, P2 = 6 bar and pressure drop $\Delta p = 1$ bar

Filter regulator with polycarbonate bowl

Art. No.	Type No.	Thread	Size	Max. input pressure bar	Control range bar	Pressure gauge display bar	Condensate drain
174092	678.42 K-HA P	G 3/4	4	16	0.5 - 10	0 - 16	Semi-automatic
174093	678.43 K-HA P	G 1	4	16	0.5 - 10	0 - 16	Semi-automatic

Filter regulator with polycarbonate bowl and bowl guard

Art. No.	Type No.	Thread	Size	Max. input pressure bar	Control range bar	Pressure gauge display bar	Condensate drain
174094	678.42 S P	G 3/4	4	16	0.5 - 10	0 - 16	Semi-automatic
174095	678.43 S P	G 1	4	16	0.5 - 10	0 - 16	Semi-automatic

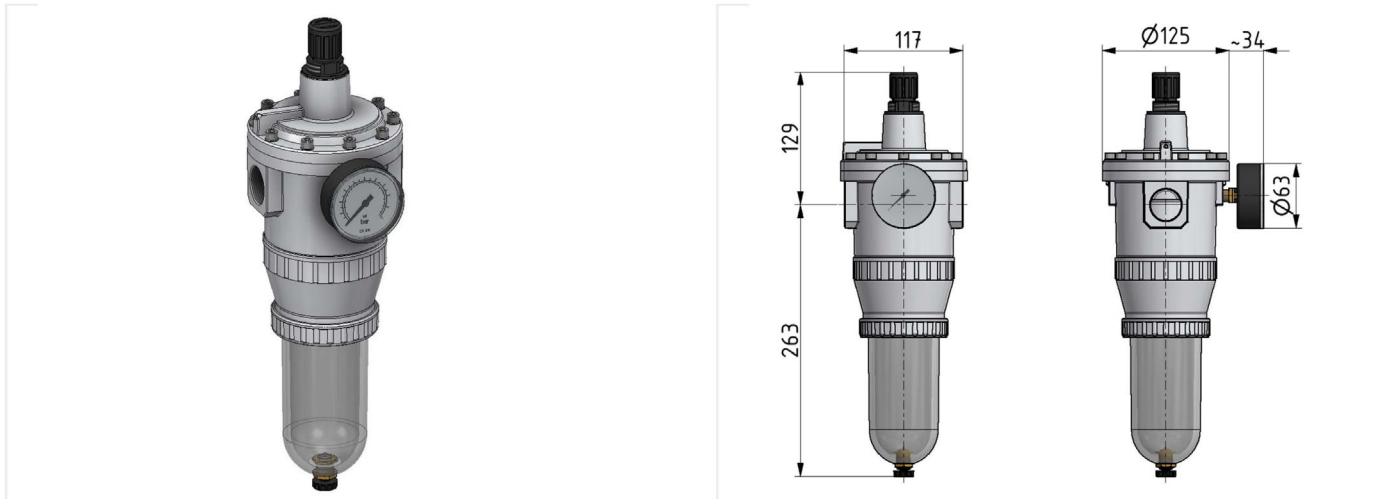
Filter regulator with metal bowl

Art. No.	Type No.	Thread	Size	Max. input pressure bar	Control range bar	Pressure gauge display bar	Condensate drain
174096	678.42 M P	G 3/4	4	25	0.5 - 16	0 - 25	Manuel
174097	678.43 M P	G 1	4	25	0.5 - 16	0 - 25	Manuel

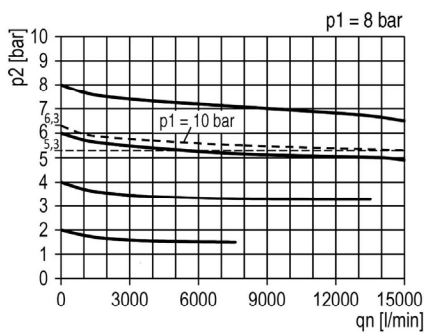
Accessories / spare parts

Art. No.	Type No.	Description
100845	H 86	Mounting bracket
100949	SK 03	Bowl guard
100950	650/2-HA	Polycarbonate bowl (filter)
100951	650/12	Metal bowl (filter)
100677	65/0-N	Fully-automatic drain valve
100511	655.6.940	Filter element 40 µm, Cellpor
100510	655.6.908	Filter element 8 µm, Cellpor
174104	22.643.4 P	Set of wearing parts
100362	655.6.900	Automatic bleeder valve

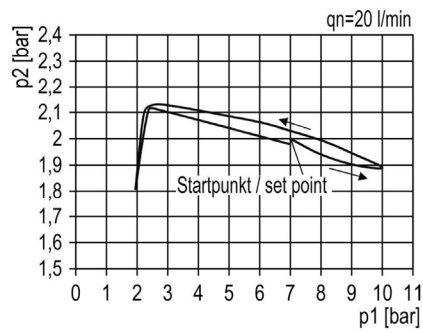
Filter regulator with polycarbonate bowl or polycarbonate bowl and bowl guard



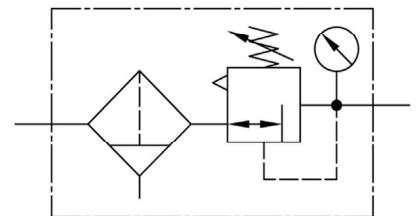
flow characteristic



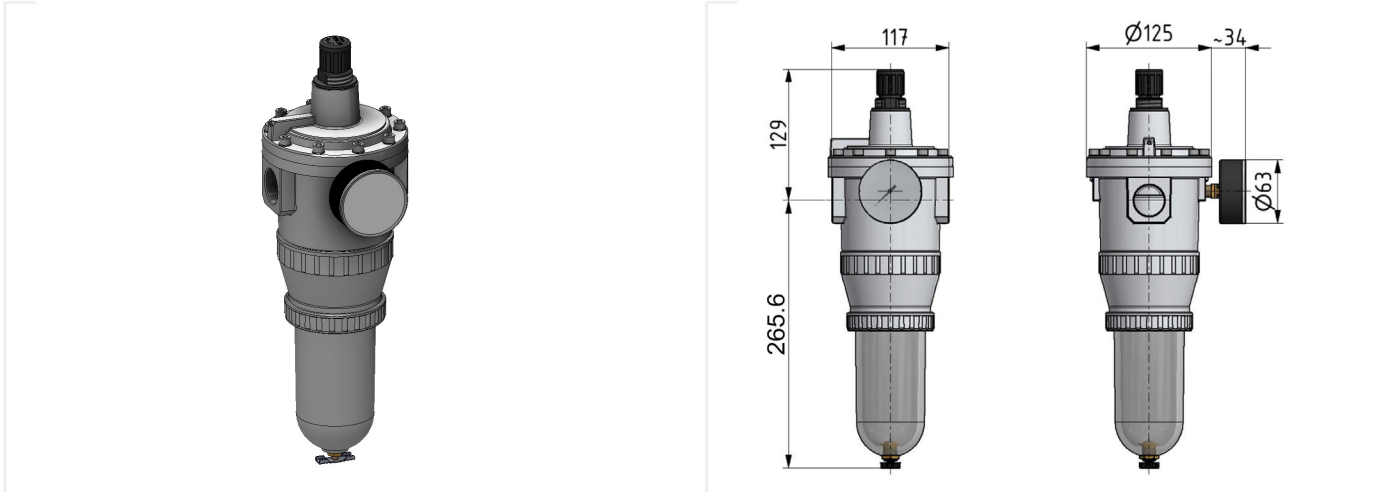
pressure characteristic



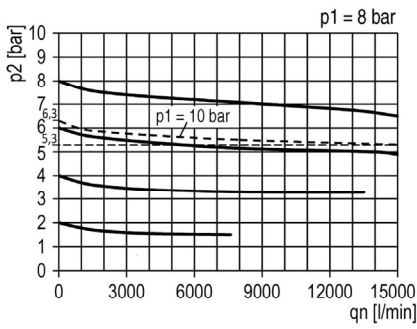
symbol



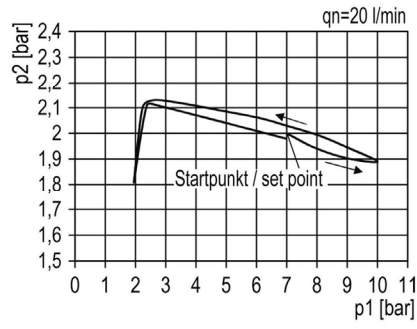
Filter regulator with metal bowl



flow characteristic



pressure characteristic



symbol

